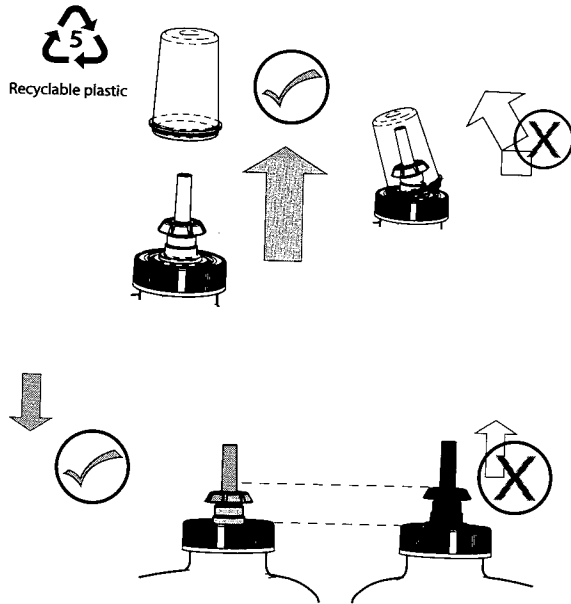
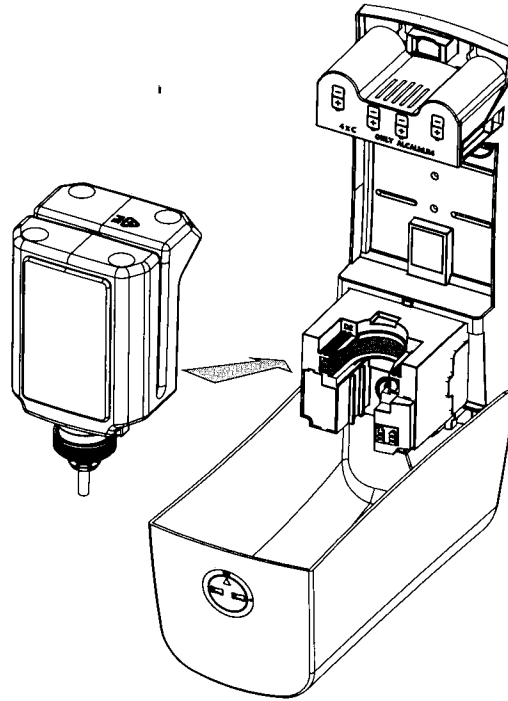


7

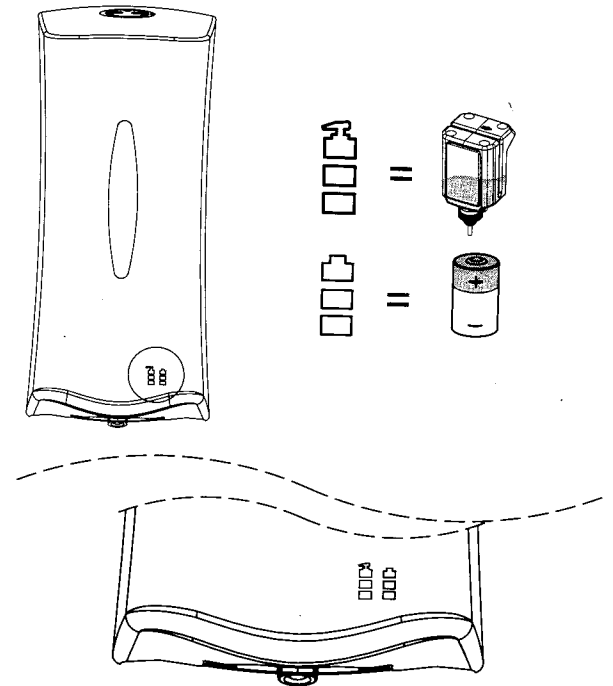
Pull straight up to remove bottle cap



8

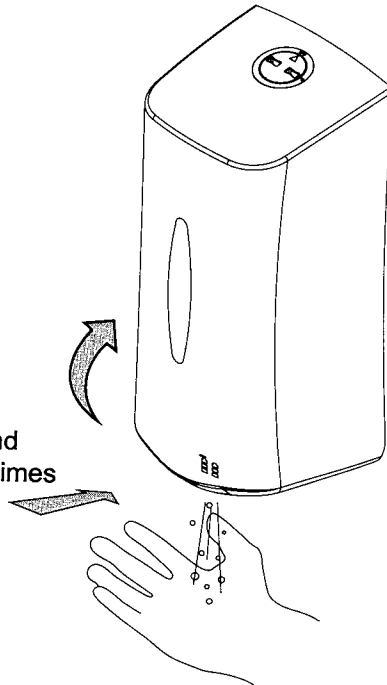


9



10

First time:  
Activate the pump  
by passing the hand  
underneath a few times



### Cleaning and Maintenance

Clean exterior surfaces of the dispenser using warm water and mild soap. **DO NOT USE ABRASIVE CLEANSERS.** Dry with a soft cloth.

### Cautions

1. It is the installer's responsibility to ensure that installation of the unit complies with all applicable codes, standards and regulatory requirements.
2. Do not install this dispenser above heat sources or near sources of ignition/flame.
3. Do not install where a failure of the mounting system or dripping of product from hands may cause damage to equipment or create a potential safety hazard.

### Troubleshooting

#### (1) Dispenser not dispensing - indicator lights lit green

- a. Pump is seized in the dispenser. Remove the bottle, re-insert it properly. The disc of the pump must engage with the actuator, and the pump must be seated properly in the housing.
- b. Ensure that hand detecting sensors are not covered or contaminated.
- c. If all above did not work, there is an electrical problem and the unit must be serviced by a technician. For more info, please contact: KiiitoClean AS (Norway) tel. +47 66 77 11 70 / [www.antibac.no](http://www.antibac.no)

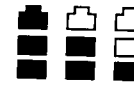
#### L.E.D. Light Meaning

Flashing Red = Bottle not installed



#### L.E.D. Light Meaning

1. Full Green Bars = Full Bottle
2. Two Green Bars = Half Bottle
3. One Green Bar = Low Bottle
4. One Red Bar = Critically Low Bottle



#### L.E.D. Light Meaning

1. Full Green Bars = Full Battery
2. Two Green Bars = Half Battery
3. One Green Bar = Low Battery
4. One Red Bar = Critically Low Battery

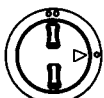
#### (2) Dispenser not dispensing - no indicator lights lit

- a. Open and close the cover. Ensure that the cover is fully closed. Check if the dispenser is dispensing.
- b. Remove the battery cartridge, then re-install it. The lights should come on. If not, replace the battery cartridge or batteries.
- c. If all above did not work, there is an electrical problem and the unit must be serviced by a technician. For more info, please contact: KiiitoClean AS (Norway) tel. +47 66 77 11 70 / [www.antibac.no](http://www.antibac.no)

KiiLTO

antibac

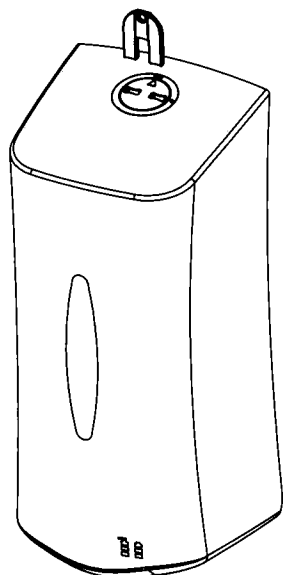
1



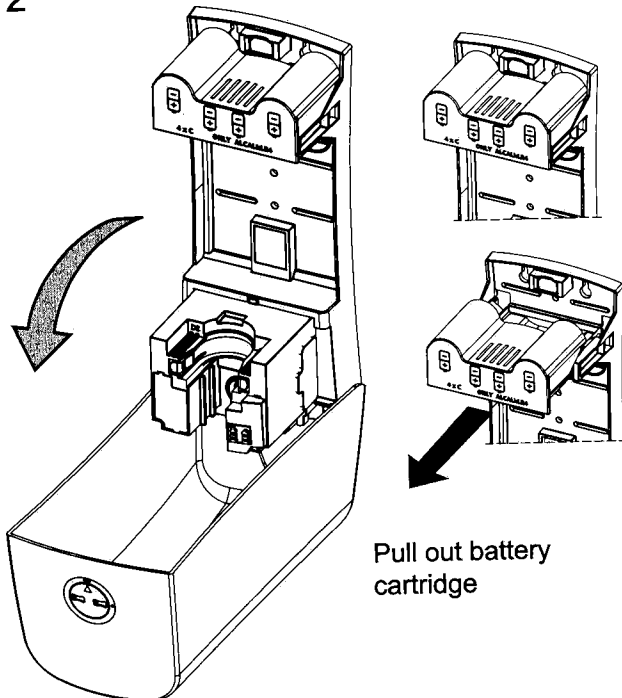
UNLOCKED



LOCKED

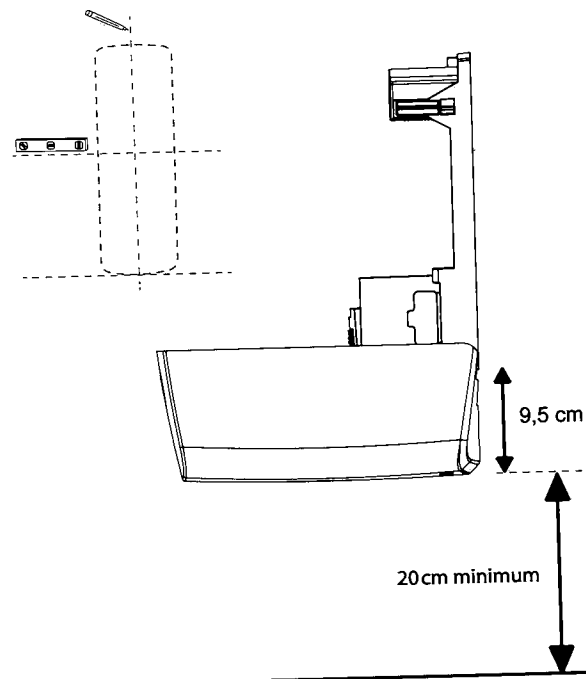


2



Pull out battery cartridge

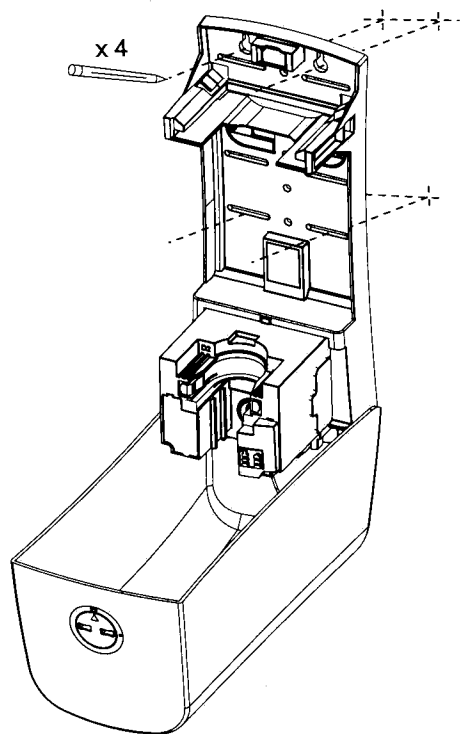
3



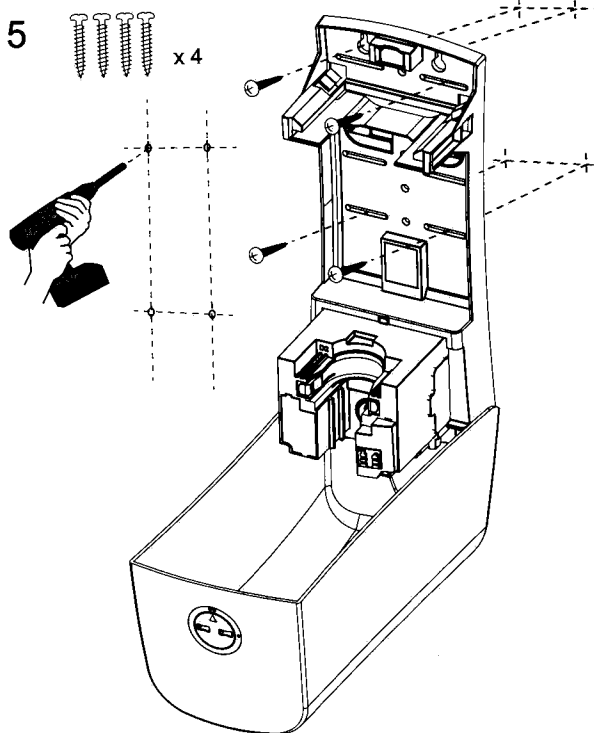
9,5 cm

20 cm minimum

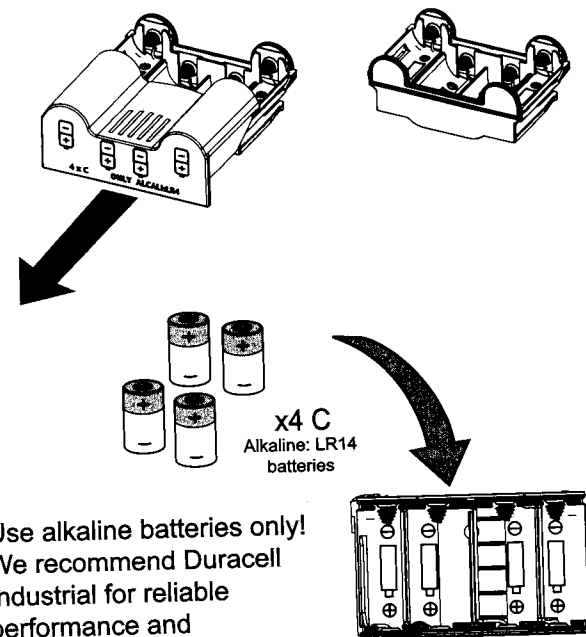
4



5



6



x4 C  
Alkaline: LR14  
batteries

Use alkaline batteries only!  
We recommend Duracell  
Industrial for reliable  
performance and  
long-lasting power.